

Boxenzubehör / Loudspeaker Accessories

M1500

10.2mm/0.40" 85mm/3.35"
DIA 76.2mm/3.0"
85mm/3.35"
Fixing Holes 4mm/0.157"

ABS-Einbauschale, 2x Jack
ABS Mounting dish, 2x Jack

M1501

180mm/7.08"
Cut Out 145mm/5.7"
125mm/4.92"
Cut Out 90mm/3.54"
Fixing Holes 4.5mm/0.178" Csk

ABS-Einbauschale, 2x Neutrik D +2x Jack
ABS Mounting dish, 2x Neutrik D +2x Jack

M1504

85.3 13
85.3

Einbauschale 2x Neutrik D
ABS Mounting dish, 2x Neutrik D

M1530

63.5mm/2.5" 60.3mm/2.375"
19mm/0.75"
55mm/2.19"
52mm/2.047"

Port Trimm 20/50
Port extrusion 20/50 mm

M1531

25mm/1.0" 70mm/2.75"
50mm/1.96"

Port Trimm 25 / 50mm
Port extrusion 25 /50mm

M1532

119mm/4.68" SQUARE
35mm/1.38" Dia
82.55mm/3.25"
90mm/3.54"
88.9mm/3.5"
Hole 6mm/0.24" Dia Csk

Hochständer-Hülse Nylon, Ø 35mm (Ø 1 3/8")
Nylon high roll stand case, Ø 35 mm (Ø 1 3/8")

M1533

25mm/1.0" 95mm/3.74"
75mm/2.95"

Port Trim 25 / 75mm
Port extrusion 25/75 mm

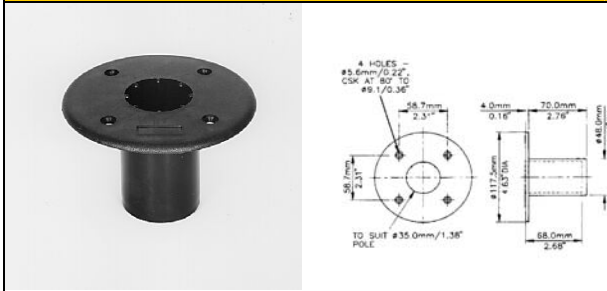
M1534

90.0 6.0 119.0 MAX 88.9 119.0 MAX
4 HOLES Ø 6.0 Csk AT 90° TO #125
15° x 92.5 DEEP

Hochständer-Hülse Nylon, Ø 38mm (Ø 1 1/2")
Nylon high roll stand case, Ø 38 mm (Ø 1 1/2")

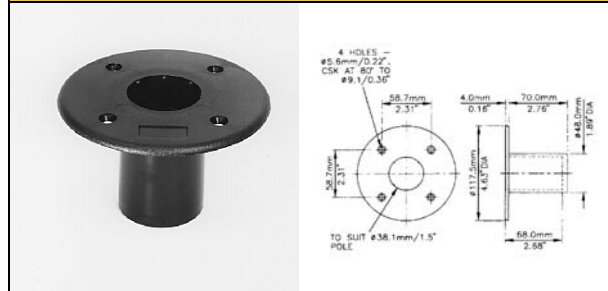
Boxenzubehör / Loudspeaker Accessories

M1538



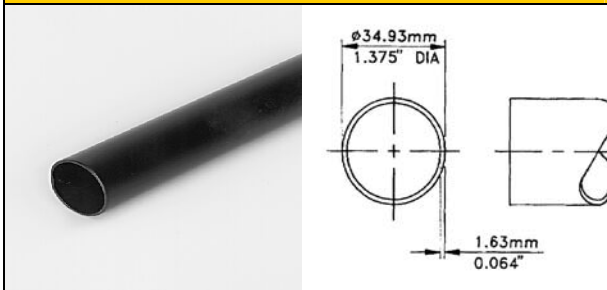
Hochständer-Hülse Nylon, Ø 35mm (Ø1-3/8")
Nylon high roll stand case, Ø 35 mm (Ø 1 3/8")

M1542



Hochständer-Hülse Nylon, Ø 38mm (Ø1½")
Nylon high roll stand case, Ø 38 mm (Ø 1 ½")

M1543



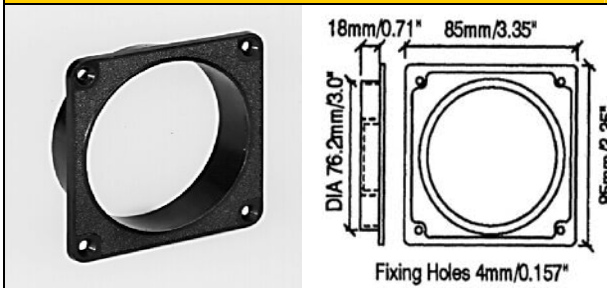
Rohrstück zu M1532, Ø 35 mm verschiedene
längen (660mm, 1200mm)
Pipe to M1532, Ø 35mm, different length

M1544



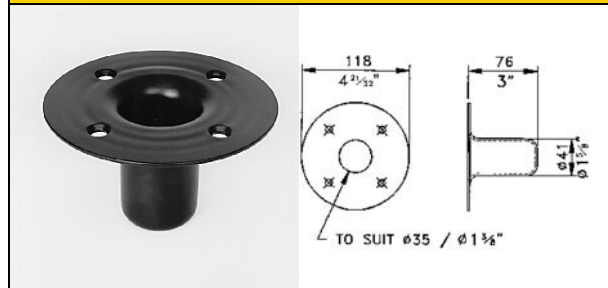
Rohrstück zu M1534, Ø 38mm verschiedene
längen (660mm, 1200mm)
Pipe to M1534, 660x Ø 38mm, different length

M1550

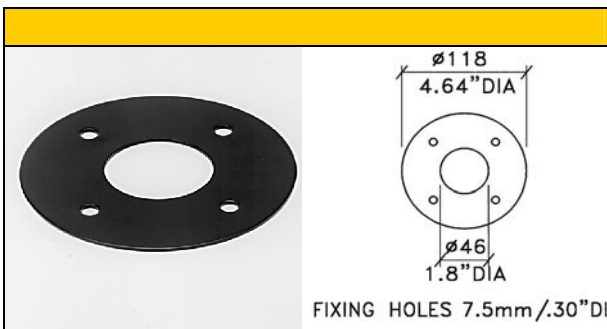


Kabeldurchlass
Cord passage

M1551



Hochständer-Hülse Stahl, Ø 35mm Ø 1 3/8"
Steel high roll stand case, Ø 35 mm (Ø 1 3/8")



Nietplatte zu M1551/M1552
Back plate for M1551/M1552



Hochständer-Hülse Stahl, Ø 38mm Ø1½"
Steel high roll stand case, Ø 38mm Ø1½"