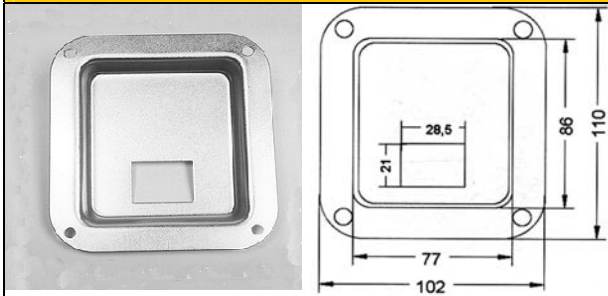


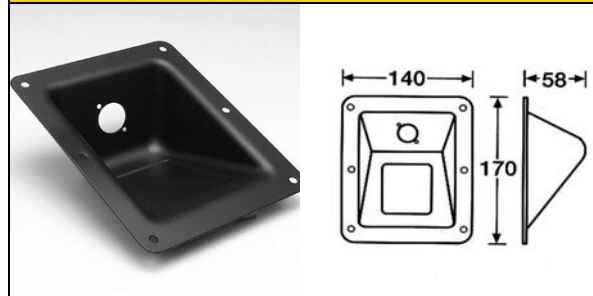
Einbauschalen / Mounting Dishes

7335 & 7335s



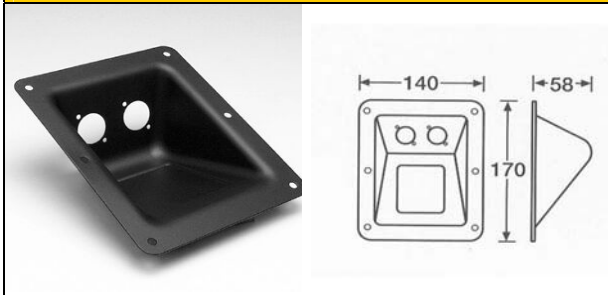
Einbauschale 110 x 100 mm, für Netzstecker
(Zink bzw. Stahl)
Mounting dish 110 x 100 mm, for power plugs
(zinc / steel)

7341



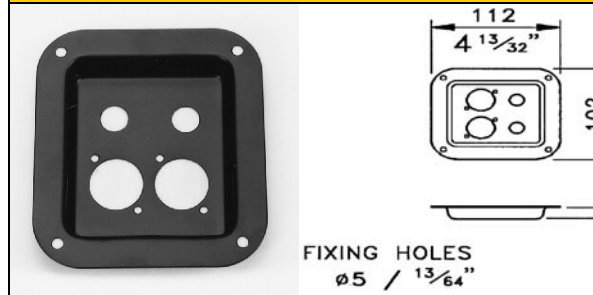
Einbauschale 140 x 170 mm, für 1 Neutrik-D.
schwarz
Mounting dish 140 x 170 mm, for 1 Neutrik-D,
black

7342



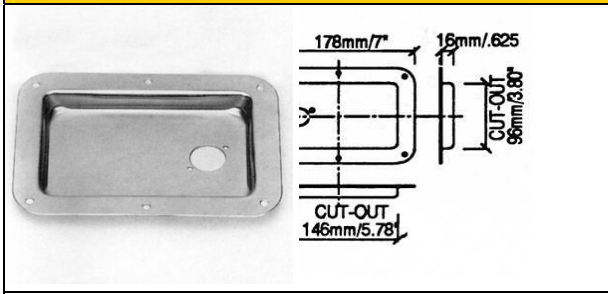
Einbauschale 140 x 170 mm, für 2 Neutrik-D,
schwarz
Mounting dish 140 x 170 mm, for 2 Neutrik-D,
black

D01k



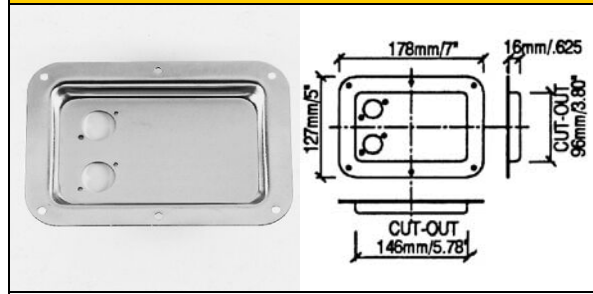
Einbauschale 110 x 100 mm, 2 x Neutrik D + 2 x
Jack, schwarz
Dish 110 x 100 mm, 2 x Neutrik D + 2 x Jack,
black

D021k & D021z



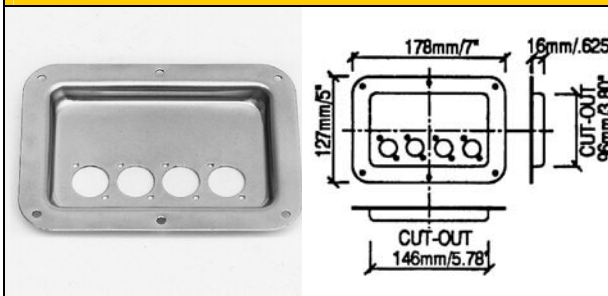
Einbauschale 180 x 130 mm, 1 x Neutrik D,
k = schwarz, z = Zink
Dish 180 x 130 mm, 1 x Neutrik D,
k = black, z = zinc

D023k & D023z



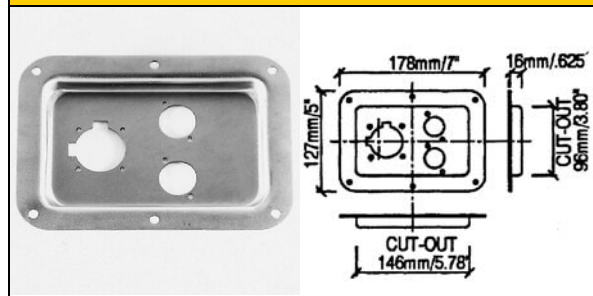
Einbauschale 180 x 130 mm, 2 x Neutrik D /
k = schwarz, z = Zink
Dish 180 x 130 mm, 2 x Neutrik D /
k = black, z = zinc

D024k & D024z



Einbauschale 180 x 130 mm, 4 x Neutrik D /
k = schwarz, z = Zink
Dish 180 x 130 mm, 4 x Neutrik D /
k = black, z = zinc

D026k & D026z



Einbauschale 180 x 130 mm, 2 x Neutrik D + 1 x
NeutrikEP / k = schwarz, z = Zink
Dish 180 x 130 mm, 2 x Neutrik D + 1 x Neutrik
EP / k = black, z = zinc

Einbauschalen / Mounting Dishes

D027k & D027z

Dish 180 x 130 mm, 4 x Neutrik D /
k = schwarz, z = Zink
Dish 180 x 130 mm, 4 x Neutrik D /
k = black, z = zinc

D028k & D028z

Dish 180 x 130 mm, 2 x Neutrik D + 1 x Neutrik EP / k = schwarz, z = Zink
Dish 180 x 130 mm, 2 x Neutrik D + 1 x Neutrik EP / k = black, z = zinc

D0586k & D0586z

Einbauschale 130 x 90 mm, x LR male/female
+ 2 x Jack / k = schwarz, z = Zink
Dish 130 x 90 mm, x LR male/female + 2 x Jack /
k = black, z = zinc

D0601k & D0601z

Einbauschale 130 x 90 mm, 2 x x LR fm /
k = schwarz, z = Zink
Mounting dish. 130 x 90 mm, 2 x x LR fm /
k = black, z = zinc

D0604k & D0604z

Einbauschale 130 x 90 mm, 2 x Neutrik D /
k = schwarz, z = Zink
Dish 130 x 90 mm, 2 x Neutrik D /
k = black, z = zinc

D0606k & D0606z

Einbauschale 130 x 90 mm, x LR male /female /
k = schwarz, z = Zink
Mounting dish 130 x 90 mm, x LR male /female /
k = black, z = zinc

D0607k & D0607z

Einbauschale 136 x 90 mm, 2 x Jack /
k = schwarz, z = Zink
Mounting dish 136 x 90 mm, 2 x Jack /
k = black, z = zinc

D0936k & D0936z

Einbauschale 110 x 100 mm, x LR male / female /
k = schwarz, z = Zink
Mounting dish 110 x 100 mm, x LR male / female
k = black, z = zinc

Einbauschalen / Mounting Dishes

D0937k & D0937z

Einbauschale 110 x 100 mm, x LR m + X LR female + 2 x Jack / k = schwarz, z = Zink
 Mounting dish 110 x 100 mm, x LR m + X LR female + 2 x Jack / k = black, z = zinc

D0938k & D0938z

Einbauschale 110 x 100 mm, 2 x Jack / k = schwarz, z = Zink
 Mounting dish 110 x 100 mm, 2 x Jack / k = black, z = zinc

D0939k & D0938z

Einbauschale 110 x 100 mm, 2 x Jack + Power / k = schwarz, z = Zink
 Mounting dish 110 x 100 mm, 2 x Jack + power / k = black, z = zinc

D0941k & D0941z

Einbauschale 130 x 90 mm, ungestanzt / k = schwarz, z = Zink
 Unstamped mounting dish 130 x 90 mm / k = black, z = zinc

D0941/10k & D0941/10z

Einbauschale 130 x 90 mm, für Netzstecker / k = schwarz, z = Zink
 Mounting dish 130 x 90 mm, for plug / k = black, z = zinc

D0946k & D0946z

Einbauschale 110 x 100 mm, ungestanzt / k = schwarz, z = Zink
 Unstamped mounting dish 110 x 100 mm / k = black, z = zinc

D0947k & 0947z

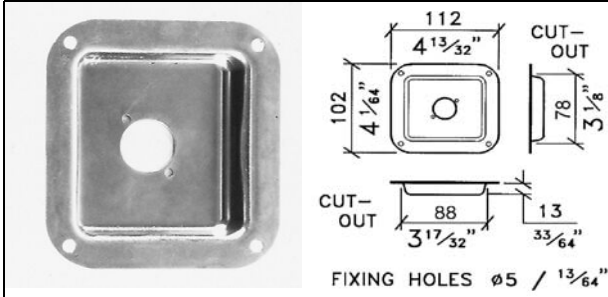
Einbauschale 110 x 100 mm, 2 x Neutrik D / k = schwarz, z = Zink
 Mounting dish 110 x 100 mm, 2 x Neutrik D / k = black, z = zinc

D0948k & D0948z

Einbauschale 110 x 100 mm, 1 x Neutrik D / k = schwarz, z = Zink
 Mounting dish 110 x 100 mm, 1 x Neutrik D / k = black, z = zinc

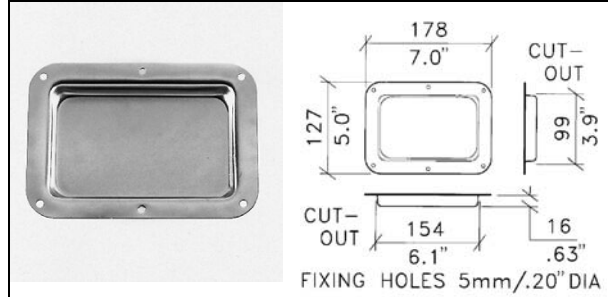
Einbauschalen / Mounting Dishes

D0949k & D0949z



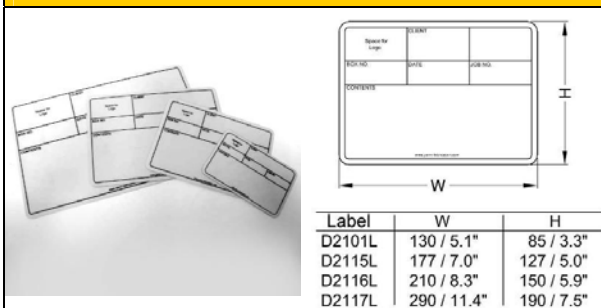
Einbauschale 110 x 100 mm, 1 x Neutrik EP /
k = schwarz, z = Zink
Mounting dish 110 x 100 mm, 1 x Neutrik EP /
k = black, z = zinc

D2101k & D2101z



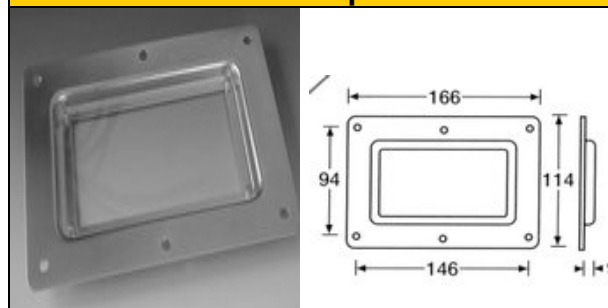
Einbauschale 178 x 127 mm, ungestanzt /
k = schwarz, z = Zink
Unstamped mounting dish 178 x 127 mm /
k = black, z = zinc

D2101L



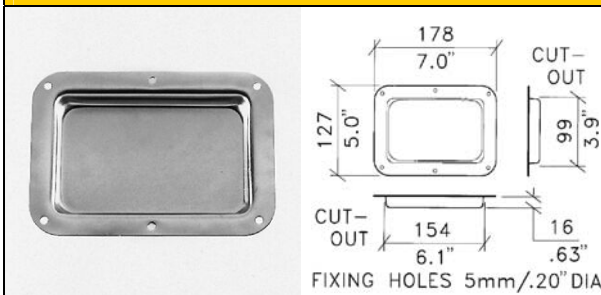
Tour Label 180 x 130 mm
Tour label 180 x 130 mm

D2101/07plex



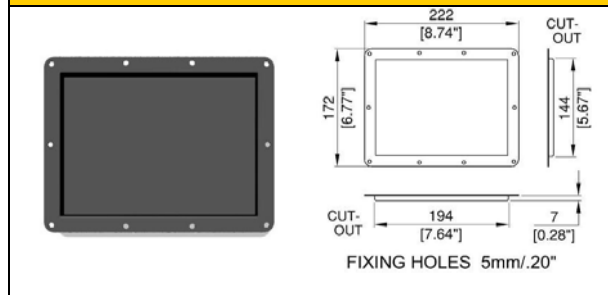
Bar Code Scanner-Fenster 166 x 114 mm
Bar code scanner window 166 x 114 mm

D2101k & D2101z



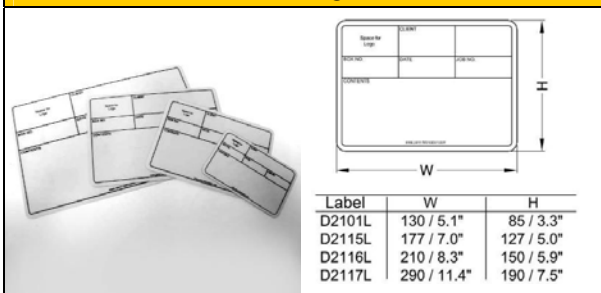
Einbauschale 180 x 130 mm ungestanzt /
k = schwarz, z = Zink
Mounting dish 180 x 130 mm /
k = black, z = zinc

D2115k & D2115z



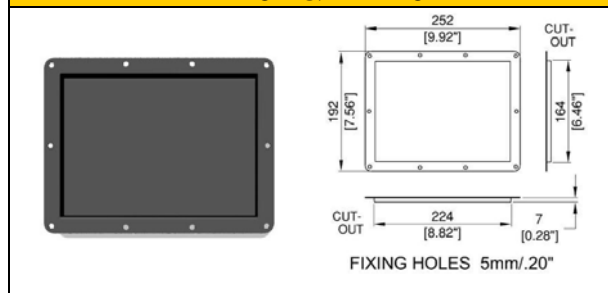
Einbauschale für Tour label D2101L, 180 x 130 mm /
k = schwarz, z = Zink
Mounting dish for tour label D2101L, 180 x 130 mm /
k = black, z = zinc

D2115L



Tour Label 117 x 127 mm
Tour label 117 x 127 mm

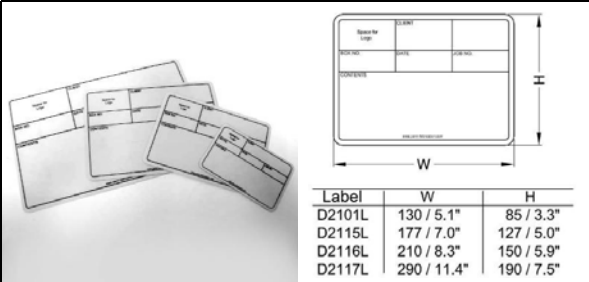
D2116k & D2116z



Einbauschale für Tour label D2116L, 210 x 150 mm /
k = schwarz, z = Zink
Mounting dish for tour label D2116L, 180 x 130 mm /
k = black, z = zinc

Einbauschalen / Mounting Dishes

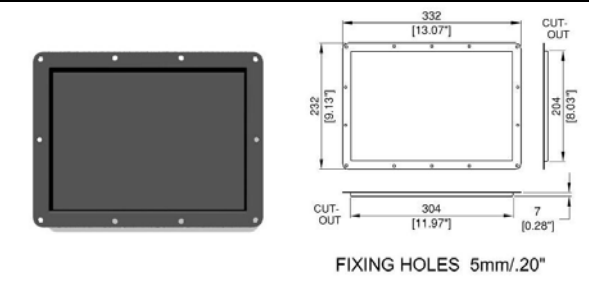
D2116L



Label	W	H
D2101L	130 / 5.1"	85 / 3.3"
D2115L	177 / 7.0"	127 / 5.0"
D2116L	210 / 8.3"	150 / 5.9"
D2117L	290 / 11.4"	190 / 7.5"

Tour Label 210 x 150 mm
Tour label 210 x 150 mm

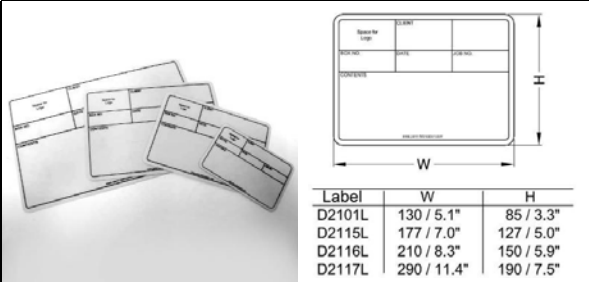
D2117k & D2117z



FIXING HOLES 5mm/.20"

Einbauschale für Tour label D2116L, 210 x 150 mm / k = schwarz, z = Zink
Mounting dish for tour label D2116L, 180 x 130 mm / k = black, z = zinc

D2117L



Label	W	H
D2101L	130 / 5.1"	85 / 3.3"
D2115L	177 / 7.0"	127 / 5.0"
D2116L	210 / 8.3"	150 / 5.9"
D2117L	290 / 11.4"	190 / 7.5"

Tour Label 290 x 190 mm
Tour label 290 x 190 mm